



Ratchets & Accessories

Innovative Design

Durability and Performance





AmPro offers a wide range of high quality, innovative designed ratchets. All ratchets are made of commercial-grade Chrome Vanadium steel. Precision 72-tooth quick-release ratchets release sockets with a smooth one-handed operation.

5

Mini 1/4" Ratchet and Bit Driver



Model	Size	Length
T29871	1/4"	4-3/8" 110mm

Stubby Bit Driver

- Fits 3/8" (10mm) Bits



Model	Size	Length
T32100	3/8" (10mm) Hex	5-3/8" 136mm

Stubby Ratchets



Model	Size	Length
T29850	1/4"	4-3/8" 110mm
T29851	3/8"	5-1/4" 135mm
T29852	1/2"	6-3/4" 170mm

Dual-Drive Stubby Ratchets



Model	Size	Length
T29872	1/4" & 3/8"	4-3/8" 135mm
T29876	3/8" & 1/2"	5-1/4" 135mm
T29875	3/8" & 1/2" (Jumbo)	6-3/4" 170mm

Dual-Drive "Safety Lock" Stubby Flex Ratchets



Model	Size	Length
T29873	1/4" & 3/8"	6" 154mm
T29874	3/8" & 1/2"	6" 154mm

Standard Ratchets



Model	Size	Length
T29818	1/4"	5-3/4" 147mm
T29819	3/8"	7-3/4" 197mm
T29820	1/2"	10-7/16" 265mm

Dual-Drive Standard Ratchets



Model	Size	Length
T29848	1/4" & 3/8"	7-3/4" 197mm
T29849	3/8" & 1/2" (Jumbo)	10-7/16" 265mm

Offset Ratchets



Model	Size	Length
T29860	1/4"	5-7/8" 145mm
T29861	3/8"	8-1/16" 205mm
T29862	1/2"	10" 252mm



Heavy Duty Flex Ratchets

- 36-Tooth, geared action
- Chrome Vanadium steel
- Forward, reverse and fixed

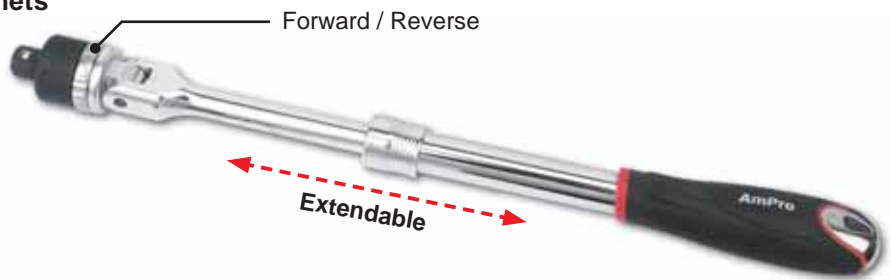
Model	Size	Length
T29913	1/4"	7" 180mm
T29914	3/8"	10-1/8" 255mm
T29915	1/2"	12" 305mm
T29916	1/2"	24" 610mm



Heavy Duty Extendable Flex Ratchets

- 36-Tooth, geared action
- Chrome Vanadium steel
- Forward, reverse and fixed
- 180° Swivel handle
- Cushioned grip handle

Model	Size	Locking Position	Length
T29928	1/4"	3	7-3/4" (195mm) to 9-5/8" (245mm)
T29929	3/8"	4	10-3/4" (270mm) to 14-3/4" (375mm)
T29930	1/2"	6	14-1/2" (365mm) to 20" (510mm)
T29931	1/2"	4	18" (455mm) to 24" (610mm)



"Safety Lock" Flex Head Ratchets



Model	Size	Length
T29856	1/4"	6-1/4" 159mm
T29857	3/8"	9-1/2" 242mm
T29858	1/2"	11-7/16" 290mm

Dual-Drive "Safety Lock" Flex Head Ratchets



Model	Size	Length
T29845	1/4" & 3/8"	9-1/2" 242mm
T29846	3/8" & 1/2" (Jumbo)	11-7/16" 290mm

Slim Head Quick Release Ratchets



Model	Size	Length
T29866	1/4"	4-1/2" 110mm
T29867	3/8"	6-1/8" 155mm
T29868	1/2"	8-1/4" 210mm

High Torque Ratchets



Model	Size	Length
T29836	1/4"	5-7/8" 145mm
T29837	3/8"	7-11/16" 195mm
T29838	1/2"	10" 250mm



5

Offset Ratchets with Disc



Model	Size	Length
T49833	1/4"	6" 150mm
T49834	3/8"	8-3/16" 208mm
T49835	1/2"	10-11/16" 253mm

Finger Spinner Ratchet



Model	Size	Length
T29808	3/8"	8-13/16" 208mm

360-Degree Quick Release Ratchets



Model	Size	Length
T29877	1/4"	7-1/4" 185mm
T29878	3/8"	9-5/8" 245mm
T29879	1/2"	12-3/16" 310mm

Double Flex Quick Release Ratchet



Model	Size	Length
T29828	3/8"	9-7/8" 250mm

Stubby Spinner Ratchets

- Spinner head allows to work in multi-angle positions
- Stubby design for working in confined areas



Model	Size	Length
T29790	1/4"	4-1/8" 105mm
T29791	3/8"	6" 154mm
T29792	1/2"	7" 178mm

Spinner Ratchets

- Spinner head allows to work in multi-angle positions
- Extended length for added leverage and torque



Model	Size	Length
T29793	1/4"	6" 157mm
T29794	3/8"	9-1/4" 235mm
T29795	1/2"	10-7/16" 265mm

Lightweight Dual-Drive Stubby Ratchets

- Lightweight, durable body reduces operator fatigue
- Material design offers anti-static capacity when working w/ non-conductive tools/parts



Model	Size	Length
T29785	1/4" & 3/8"	5-1/2" 140mm

Lightweight Quick-Release Ratchets

- Lightweight, durable body reduces operator fatigue
- Material design offers anti-static capacity when working w/ non-conductive tools/parts



Model	Size	Length
T29815	1/4"	5-3/4" 147mm
T29816	3/8"	7-3/4" 195mm
T29817	1/2"	9-3/4" 248mm



"Box Style" Ratchets



Model	Size	Length
T29809	1/4" (44-Tooth)	6" 150mm
T29810	3/8" (44-Tooth)	8" 202mm
T29811	1/2" (45-Tooth)	10-5/8" 270mm

Micro Offset Ratchet



Model	Size	Length
T29779	1/4"	3-3/4" 96mm

Micro Quick-Release Ratchets



Model	Size	Length
T29747	1/4"	3-3/8" 85mm
T29748	3/8"	4-1/8" 105mm
T29749	1/2"	5-1/2" 140mm

3/8" Dr. Stubby Ratchet & Ratchet Head



* Flex Handle not Included

Model	Size	Length
T29839	3/8"	2-3/16" 74mm

Micro Ratchet & Bit Driver



Model	Size	Length
T29778	1/4"	3-3/8" 85mm

Dual-Drive Micro Ratchets



Model	Size	Length
T29830	1/4" & 3/8"	4-1/8" 105mm
T29831	3/8" & 1/2"	4-1/8" 105mm

T29832 2pc 1/4" Dr. & 3/8" Dr. Micro Ratchet Set

- Palm-sized compact design
- Knurled handle for firm grip
- Quick-Release



Palm-sized Compact Design



5

1/4" Dr. Finger Ratchet & Bit Driver



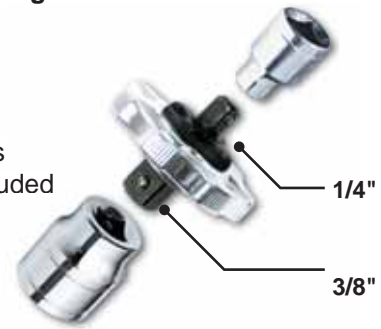
* Socket & bit not included

Bit Driver

Model	Size	Length
T29780	1/4"	2" 50mm

Dual-Drive Finger Ratchet

* Sockets not included



Model	Size	Length
T29859	1/4" & 3/8"	1-15/16" 47mm

T29869 2pc Compact Ratchet Set



- Rapid dual-drive action
- Ribbed handles for greater finger control
- Mini-sized for quick fastening rotation in tight areas



Regular Ratchets



Model	Size	Length
T29800	1/4" (43-Tooth)	5-1/2" 140mm
T29801	3/8" (41-Tooth)	8" 200mm
T29802	1/2" (45-Tooth)	10" 250mm

"Metal Grip" Ratchets



Model	Size	Length
T29824	1/4"	5" 127mm
T29825	3/8"	7" 178mm
T29826	1/2"	10" 258mm

Extra Long Ratchets



Model	Size	Length
T29756	1/4"	6-3/8" 157mm
T29757	3/8"	11-1/2" 290mm
T29758	1/2"	17-3/4" 450mm

Extra Long Flex Head Ratchets



Model	Size	Length
T29821	1/4"	6-3/8" 157mm
T29822	3/8"	11-1/2" 290mm
T29823	1/2"	17-3/4" 450mm

Heavy Duty Reversible Ratchet



- 24-Tooth

Model	Size	Length
T29880	3/4"	20" 500mm

Industrial Reversible Ratchet



- 24-Tooth

Model	Size	Length
T29890	1"	26" 650mm

Industrial Reversible Quick-Release Ratchet



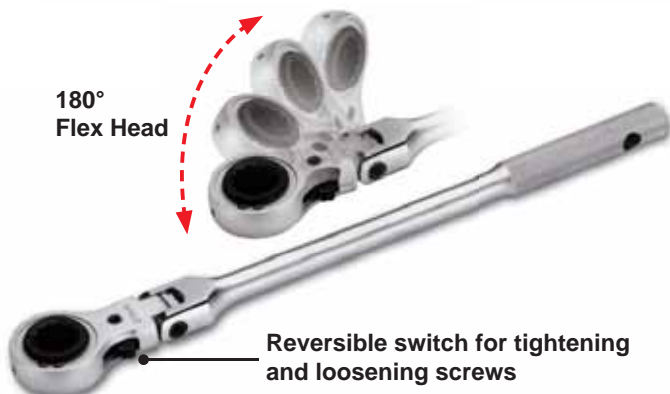
Model	Size	Length
T29881	3/4"	20" 500mm

Industrial Reversible Quick-Release Extendable Ratchets



Model	Size	Length
T29885	3/4"	20" (500mm) to 32" (800mm)
T29895	1"	20" (500mm) to 32" (800mm)

Flex Ratcheting Socket Wrenches



- Functions as ratchet and socket
- Reversible switch for tightening and loosening the screw
- 32-Tooth geared action
- 180° Flex head design

Model	Size	Length
T29903	26mm	21" 534mm
T29904	27mm	21" 534mm
T29905	28mm	21" 534mm
T29906	29mm	21" 534mm
T29907	30mm	21" 534mm
T29908	32mm	21" 534mm



5

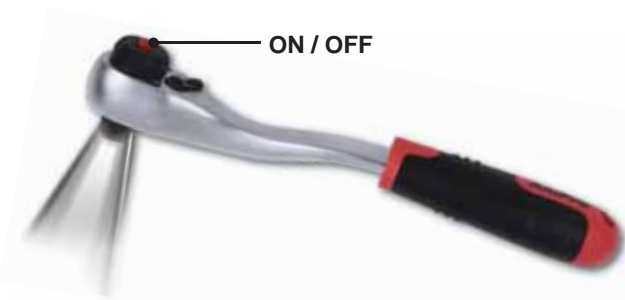


Rotator 3/8" Dr. Ratchet

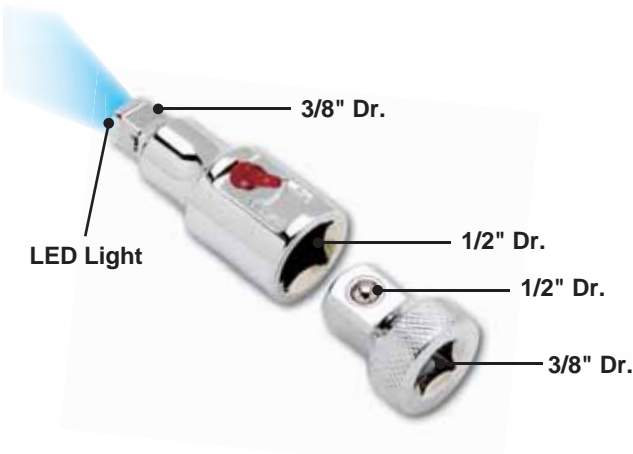
- Twisting handle easily operates ratcheting function
- Excellent for tight spots where there's no room to swing the handle
- Continuous turning in one direction regardless of which way handle is turned
- Push-in drive head changes forward / reverse direction
- 60-Tooth with 6 arc swing

Model	Size	Length
T29759	3/8"	8-9/16" 218mm

Lighted Ratchets

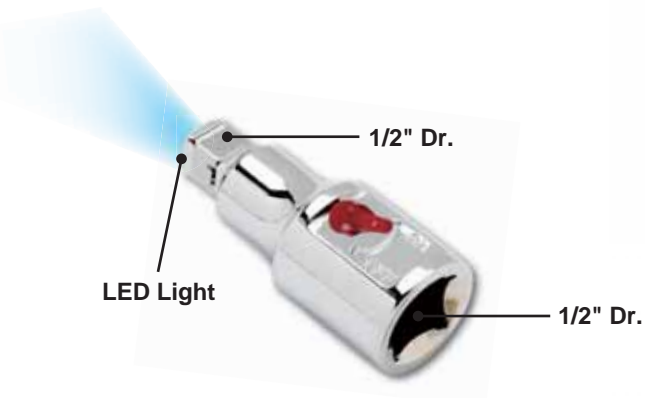


Model	Size	Length
T29753	1/4"	5-7/8" 145mm
T29754	3/8"	8" 200mm
T29755	1/2"	10-1/8" 255mm



T11391 3/8" & 1/2" Dr. Lighted Extension

- 1/2" (F) x 3/8" (M) Lighted extension with 3/8" (F) x 1/2" (M) adaptor for multiple uses
- Light shines through sockets for working in low light areas
- 3 LR44 Button cell batteries included



T11390 1/2" Dr. Lighted Extension

- 1/2" (F) x 1/2" (M) Lighted extension for multiple uses
- Light shines through sockets for working in low light areas
- 3 LR44 Button cell batteries included



Extendable Ratchets

- 72-Tooth, geared action
- Forward and reverse
- Chrome Vanadium steel



Stubby Extendable Ratchet

- 3 Locking positions



Model	Size	Length
T29763	3/8"	6-1/2" (165mm) to 8-3/4" (222mm)

Standard Extendable Ratchet

- 4 Locking positions



Model	Size	Length
T29770	3/8"	8-1/4" (210mm) to 12-1/4" (312mm)

Dual-Drive Extendable Stubby Ratchets

- 3 Locking positions



Model	Size	Length
T29761	1/4" & 3/8"	6-1/2" (165mm) to 8-3/4" (222mm)
T29762	3/8" & 1/2"	6-1/2" (165mm) to 8-3/4" (222mm)

Dual-Drive Standard Extendable Ratchet

- 4 Locking positions



Model	Size	Length
T29766	1/4" & 3/8"	8-1/4" (210mm) to 12-1/4" (312mm)

Extendable Flex Ratchet

- 2 Locking positions



Model	Size	Length
T29773	3/8"	9-3/4" (250mm) to 13-3/4" (350mm)

Standard Extendable Ratchet

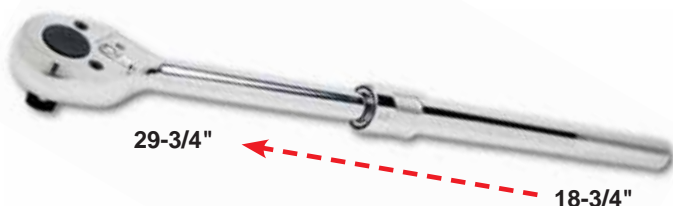
- 6 Locking positions



Model	Size	Length
T29771	1/2"	12" (305mm) to 17-1/2" (450mm)

Extendable Ratchet

- 24-Tooth, geared action
- 4 Locking positions



Model	Size	Length
T29776	3/4"	18-3/4" (475mm) to 29-3/4" (755mm)

Extra Long Extendable Ratchet

- 4 Locking positions



Model	Size	Length
T29772	1/2"	18" (450mm) to 24" (610mm)



5



T11342 4pc Lighted Extension Set

- Contents:
 - 1 - 3/8" & 1/2" Dr. Lighted Extension (T11391)
 - 3 - Extension Bar:
 - 3/8" Dr. x 3" (T11310), 3/8" Dr. x 6" (T11313)
 - 1/2" Dr. x 5" (T11322)



T29796 2pc 3/8" Dr. Offset Ratchet with Disc & Lighted Extension Set

3/8" Dr. Offset Ratchet with Disc

- Chrome Vanadium steel
- 72-Tooth geared ratchet
- Cushioned grip handle

3/8" & 1/2" Dr. Lighted Extension

- LED light shines through sockets to work in low light areas
- Use with 3/8" or 1/2" Dr. Ratchet
- 3 LR44 button-cell batteries included



T29797 2pc 1/2" Dr. Offset Ratchet with Disc & Lighted Extension Set

1/2" Dr. Offset Ratchet with Disc

- Chrome Vanadium steel
- 72-Tooth geared ratchet
- Cushioned grip handle

1/2" Dr. Lighted Extension

- 1/2" (F) x 1/2" (M) Lighted extension for multiple uses
- Light shines through sockets for working in low light areas
- 3 LR44 Button cell batteries included



Use with
3/8" Dr. Ratchet



Use with
1/2" Dr. Ratchet



Forward & Reverse



Quick-Release
Button

Industrial Style Extension Bars



- Satin Chrome Finish

Model	Size	Length
T11300	1/4"	2" 56mm
T11301	1/4"	3" 75mm
T11302	1/4"	6" 150mm
T11303	1/4"	4" 100mm
T11310	3/8"	3" 75mm
T11313	3/8"	6" 150mm
T11315	3/8"	10" 250mm
T11320	1/2"	3" 75mm
T11322	1/2"	5" 125mm
T11324	1/2"	10" 250mm
T11331	3/4"	4" 100mm
T11332	3/4"	8" 200mm
T11334	3/4"	16" 400mm
T11336	1"	8" 200mm
T11338	1"	16" 400mm

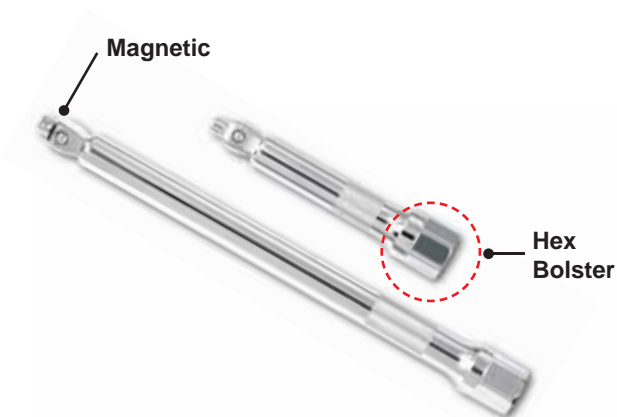
Extension Bars



- Mirror Chrome Finish

Model	Size	Length
T11400	1/4"	2" 50mm
T11401	1/4"	3" 75mm
T11402	1/4"	6" 150mm
T11403	1/4"	4" 100mm
T11415	3/8"	3" 75mm
T11416	3/8"	6" 150mm
T11418	3/8"	10" 250mm
T11424	1/2"	3" 75mm
T11425	1/2"	5" 125mm
T11426	1/2"	10" 250mm

Extension Bars with Magnet



Model	Size	Length
T11354	3/8"	6" 150mm
T11355	3/8"	10" 250mm
T11357	1/2"	5" 125mm
T11358	1/2"	10" 250mm





2-Way Wobble Extensions

- 2-in-1 Action, Wobble & Standard
- Non-Slip Knurled Shaft



Wobble Action



Push to Lock in Standard Position

T11347 4pc 1/4", 3/8" & 1/2" Dr. 2-Way Wobble Extension Set

1/4" Dr. x 4" (100mm), 3/8" Dr. x 3" (75mm), 3/8" Dr. x 6" (150mm), 1/2" Dr. x 5" (125mm)

T11351 3pc 3/8" Dr. 2-Way Wobble Extension Set

3" (75mm), 6" (150mm) and 8" (200mm)

T11352 3pc 1/2" Dr. 2-Way Wobble Extension Set

3" (75mm), 5" (125mm) and 10" (250mm)

T11345 3pc 3/8" Dr. 2-Way Wobble Extension Set

1-3/4" (45mm), 3" (75mm) and 6" (150mm)

T11346 3pc 1/2" Dr. 2-Way Wobble Extension Set

2" (50mm), 5" (125mm) and 10" (250mm)

Industrial Wobble Extension Sets



T11348 3pc 1/4" Dr. Wobble Extension Set

3" (75mm), 4" (100mm) and 6" (150mm)

T11349 3pc 3/8" Dr. Wobble Extension Set

3" (75mm), 6" (150mm) and 8" (200mm)

T11350 3pc 1/2" Dr. Wobble Extension Set

3" (75mm), 5" (125mm) and 10" (250mm)



Industrial Style

Quick-Release Extension Bars



Model	Size	Length
T11363	3/8"	3" 75mm
T11364	3/8"	6" 150mm
T11365	3/8"	10" 250mm
T11367	1/2"	5" 125mm
T11368	1/2"	10" 250mm

Quick-Release Extensions

T11366 3pc 1/4", 3/8", 1/2" Dr. Quick-Release Extension Set

1/4" Dr. x 6" (150mm), 3/8" Dr. x 10" (250mm), 1/2" Dr. x 10" (250mm)

T11369 4pc 1/4", 3/8", 1/2" Dr. Quick-Release Extension Set

1/4" Dr. x 4" (100mm), 3/8" Dr. x 3" (75mm), 3/8" Dr. x 6" (150mm), 1/2" Dr. x 5" (125mm)



Non-Slip Knurled Shaft

Non-Slip Knurled Shaft

Quick-Release Push Button



Extra Long Extension Sets

T11328 1/2" Dr. x 20" (500mm) Extension Bar

T11340 3pc 1/4" Dr. Extension Bar Set

9" (230mm), 10" (250mm), 14" (355mm)

T11341 2pc 3/8" Dr. Extra Long Extension Set

18" (450mm), 24" (610mm)





5

Foldable Extension T-Handles

- Quick-release shaft



Model	Size	Length
T20753	3/8"	10" (250mm) to 16" (405mm)
T20754	1/2"	10" (250mm) to 16" (405mm)

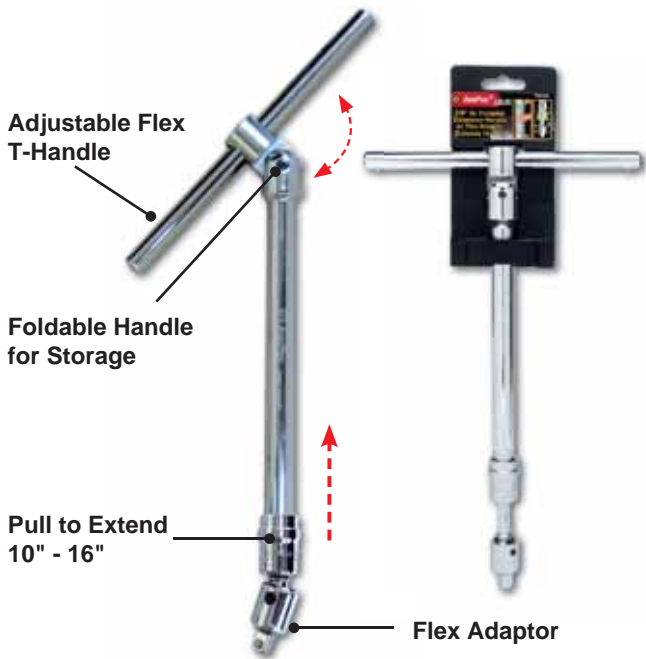
T-Handle Socket Wrenches (6pt)

- Chrome Vanadium nut driver
- Sliding T-handle to reach confined areas



Model	Size
T41708	8mm
T41709	9mm
T41710	10mm
T41711	11mm
T41712	12mm
T41713	13mm
T41714	14mm

Foldable Extension T-Handles w/ Flex Socket Adaptor



Model	Size	Length
T20752	3/8"	10" (250mm) to 16" (405mm)
T20756	1/2"	10" (250mm) to 16" (405mm)

Adjustable Extension Bars

- Quick-release shaft design
- Six locking positions in 1" increments
- Excellent for confined areas



Model	Size	Length
T11370	3/8"	10" (250mm) to 16" (405mm)
T11375	1/2"	10" (250mm) to 16" (405mm)



T-Handle Spark Plug Sockets with Magnet



Model	Size	Length
T33348	16mm	15" 375mm
T33349	21mm	15" 375mm

T41700 3-in-1 T-Handle Socket Wrench (6pt)

- Chrome Vanadium steel
- T-handle to reach confined areas
- Contents: 8, 10, 12mm



Sliding T-Handles



Model	Size	Length
T20741	1/4"	4-1/2" 115mm
T20742	3/8"	8" 200mm
T20744	1/2"	10" 250mm
T20745	1/2"	12" 300mm
T20747	3/4"	18" 450mm
T20748	3/4"	20" 500mm
T20749	1"	22" 560mm

Quick-Release Sliding T-Handles



Model	Size	Length
T20760	3/8"	8" 200mm
T20761	1/2"	10" 250mm
T20762	3/4"	18" 450mm
T20763	1"	22" 550mm

Flex Handles (Satin Finish)

- Chrome Vanadium steel, satin finish
- Hardened, tempered and chrome plated
- Spring loaded ball bearing construction



Mode	Size	Length
T20700	1/4"	5-1/2" 140mm
T20705	3/8"	8" 200mm
T20706	3/8"	10" 250mm
T20714	1/2"	15" 380mm
T20716	1/2"	18" 450mm
T20732	3/4"	19" 475mm
T20736	1"	26" 650mm

Flex Handles (Mirror Finish)

- Chrome Vanadium steel, mirror finish
- Hardened, tempered and chrome plated
- Spring loaded ball bearing construction



Mode	Size	Length
T20701	1/4"	5-1/2" 140mm
T20704	3/8"	8" 200mm
T20707	3/8"	10" 250mm
T20711	1/2"	10" 250mm
T20713	1/2"	15" 380mm
T20717	1/2"	18" 450mm



5

Flex Handle with Quick Release

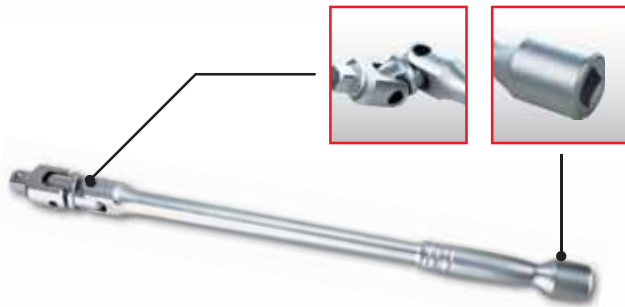


Model	Size	Length
T20721	3/4"	21" 530mm

Flex Handle with Quick Release Telescope



Model	Size	Length
T20722	3/4"	20" (500mm) to 32" (800mm)



1/2" Dr. Universal Flex / Extension Handle

- Heavy duty double universal head design
- Universal joint and 1/2" Dr. extension bar all-in-one
- Chrome Vanadium steel

Model	Size	Length
T20724	1/2"	17" 435mm

1/2" Dr. x 24" Heavy Duty Breaker Bar

- Heavy duty construction for professional use
- Chrome Molybdenum steel head for performance and durability



Model	Size	Length
T20727	1/2"	24" 610mm



1/2" Dr. Adjustable Breaker Bar

- 180-Degree swivel head
- Chrome Vanadium steel
- Cushioned grip handle
- 4 Locking positions

Model	Size	Length
T20729	1/2"	18" (450mm) to 24" (610mm)

1/2" Dr. x 24" (610mm) Ratcheting Breaker Bar

- Chrome Vanadium steel
- 3 Steps - forward, fixed and reverse lever
- 180-Degree swivel head
- Ratcheting lock feature functions as a breaker bar



180°

Swivel Ratcheting Head

Model	Size	Length
T20730	1/2"	24" 610mm

Universal Joints

- Adds flexibility to use sockets at various angles
- 90° Swivel Head



A
Satin Chrome Finish

B
Mirror Chrome Finish

	Model	Size	Length
A	T33300	1/4"	40mm
	T33302	3/8"	55mm
	T33304	1/2"	78mm
	T33306	3/4"	109mm
	T33308	1"	140mm
B	T33301	1/4"	40mm
	T33303	3/8"	55mm
	T33305	1/2"	78mm

Spark Plug Sockets



Model	Size	Length
T33320	3/8" Dr. x 16mm	65mm
T33322	3/8" Dr. x 21mm	65mm
T33323	1/2" Dr. x 16mm	65mm
T33325	1/2" Dr. x 21mm	65mm
T33340	3/8" Dr. x 5/8"	65mm
T33341	3/8" Dr. x 13/16"	65mm
T33342	1/2" Dr. x 5/8"	65mm
T33343	1/2" Dr. x 13/16"	65mm

Spark Plug Sockets w/ Magnet

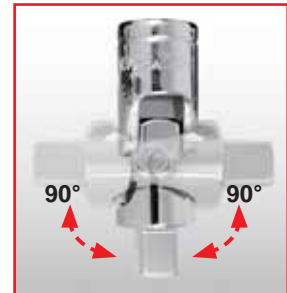


Magnet

Model	Size	Length
T33390	3/8" Dr. x 16mm	67mm
T33391	3/8" Dr. x 21mm	67mm
T33392	1/2" Dr. x 16mm	67mm
T33393	1/2" Dr. x 21mm	67mm
T33394	3/8" Dr. x 5/8"	67mm
T33395	3/8" Dr. x 13/16"	67mm
T33396	1/2" Dr. x 5/8"	67mm
T33397	1/2" Dr. x 13/16"	67mm

T33650 3pc Universal Joint Set

- Chrome Vanadium steel
- Sizes: 1/4", 3/8" & 1/2" Dr.



T33327 2pc 3/8" Dr. Spark Plug Sockets

- Sizes: 5/8", 13/16"

T33326 5pc 3/8" Dr. Spark Plug Socket Set

- Sizes: 5/8", 3/4", 13/16", 14mm, 18mm



Extended Flex Spark Plug Sockets w/ Magnet



Magnet

Model	Size	Length
T33336	3/8" Dr. x 16mm	13-1/2" 342mm
T33337	3/8" Dr. x 21mm	13-1/2" 342mm
T33338	3/8" Dr. x 5/8"	13-1/2" 342mm
T33339	3/8" Dr. x 13/16"	13-1/2" 342mm
T33344	1/2" Dr. x 16mm	16" 400mm
T33345	1/2" Dr. x 21mm	16" 400mm



5

T33335 4pc Socket Adaptor Set



- Sizes:
3/8" (F) x 1/4" (M),
1/2" (F) x 3/8" (M),
3/8" (F) x 1/2" (M),
1/4" (F) x 3/8" (M)

Socket Adaptors



A Satin Chrome B Mirror Chrome

	Model	Size	Length
A	T33312	3/8" F x 1/4" M	27mm
	T33313	3/8" F x 1/2" M	35mm
	T33314	1/2" F x 3/8" M	34mm
	T33315	1/2" F x 3/4" M	50mm
	T33316	3/4" F x 1/2" M	54mm
	T33317	3/4" F x 1" M	62mm
	T33318	1" F x 3/4" M	70mm
B	T33319	1/4" F x 3/8" M	25mm
	T33331	1/4" F x 3/8" M	25mm
	T33332	3/8" F x 1/4" M	27mm
	T33333	3/8" F x 1/2" M	35mm
	T33334	1/2" F x 3/8" M	34mm

T32581 1/4" Dr. x 6" (150mm) Spinner Handle

- Quickly tightens and loosens fasteners
- Features 1/4" Dr. "F" square drive at end of handle



L-Handles



Model	Size	Length
T11441	1/2"	10" 250mm
T11443	3/4"	24" 630mm
T11445	1"	26" 650mm

T11385 1/4" Dr. Adjustable Socket & Bit Driver

- Quick-release extension bar
- Chrome vanadium steel
- Ribbed, cushioned grip handle
- Easily accesses hard-to-reach areas
- Extends 7-1/2" to 12-1/2"



* Bit not included

Speeder Handles



Model	Size	Length
T20718	3/8"	15" 380mm
T20719	1/2"	15" 380mm



1/4" Dr. End Cap for Extra Torque and Strength



2-Way Wobble Action Driver

Use As Wobble or Standard